

CAMagic[®] Phone Link[™]

Phone Connection for GPS Navigators

Hands-free calling



File transfer



Download traffic data



Incoming SMS



CAMagic PhoneLink[™] is an embedded modular software that cost-effectively provides the functions of a car kit to GPS Navigators. It connects the Navigator to a mobile phone, using Bluetooth[®] wireless technology to download the phone's contact list, photos, and music. The software also enables internet connectivity through the phone's GPRS service, and vehicle-tracking by SMS exchange of positional coordinates.

Phonebook

Download your phone's contact list and call register to the Navigator. Keep names, numbers, and recent calls at your fingertips on the Navigator display. You can even place a call directly from the touchscreen.

Hands-free function

CAMagic PhoneLink provides the hands-free function for your GPS Navigator. You can make hands-free calls through your mobile phone, accept incoming calls through the Navigator touchscreen, use auto-answer to have the device automatically pick up the calls, or make three-way calls.

SMS and Email

Read your latest emails and SMS messages on the Navigator display downloaded directly from your phone. Use the CAMagic PhoneLink message application and Navigator touchscreen to reply your messages.

Wireless Internet Connection

Use the software to connect your GPS Navigator to the Internet through your phone's

GPRS/UMTC service. CAMagic PhoneLink software comes with stored profiles for 250 telecom service providers in 75 countries, which means the connection settings will be automatically adjusted. Send emails or surf the Net with your Navigator wherever you are!

File Transfer

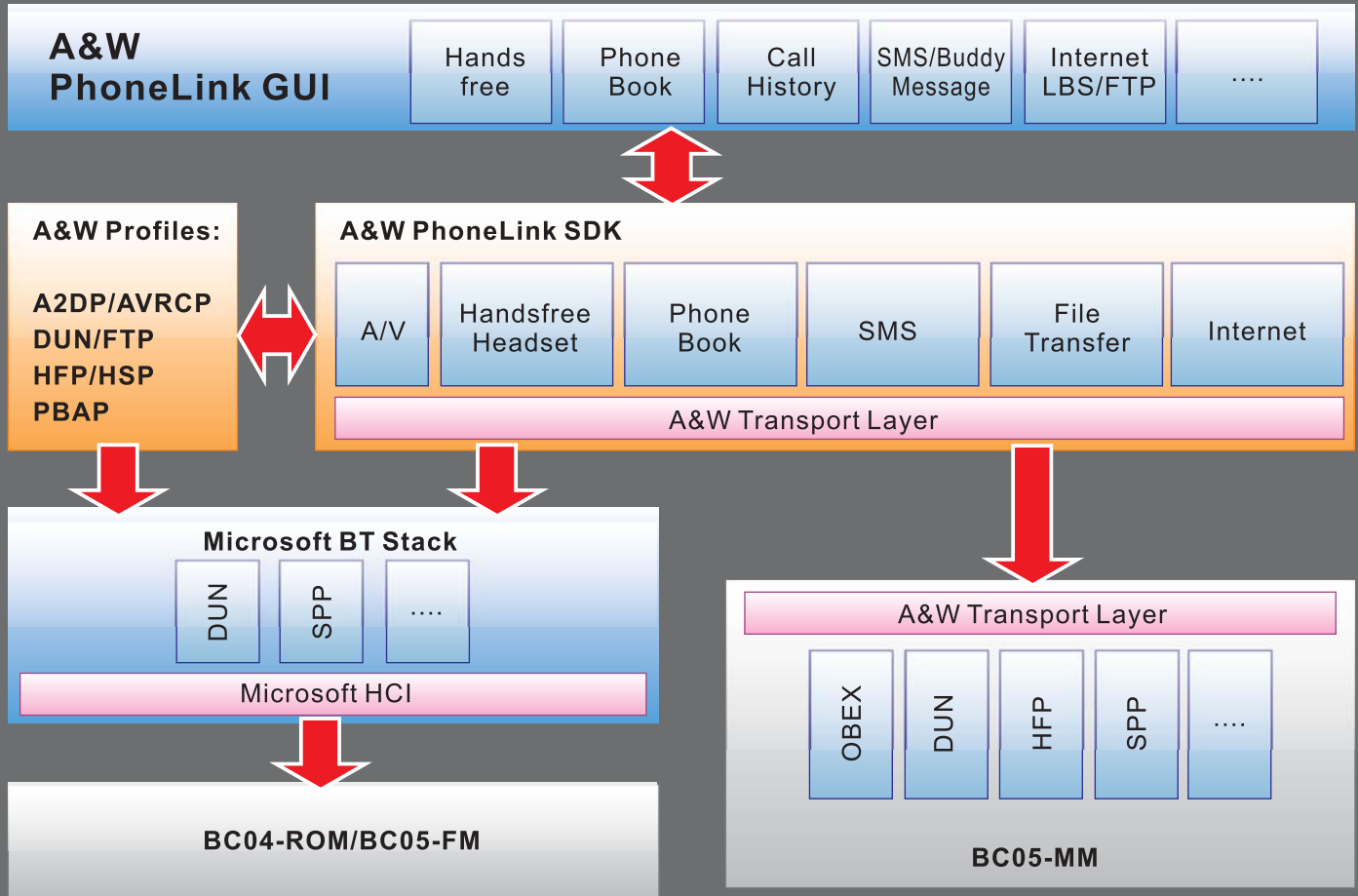
With CAMagic PhoneLink file transfer technology, you can download photos and MP3s from your phone to your Navigator. Enjoy a photo slideshow with the Navigator's wider screen, or listen to music on your in-car speakers.

Stereo Headset

CAMagic PhoneLink streams high quality audio files from navigation device to a wireless device, like Bluetooth headsets or Bluetooth stereo speakers. Enjoy the stereo quality sound handsfree!

Others

It shows the mobile phone status on the navigator screen, such as battery status, signal strength, and mobile operator.



Multi-Language Support:

- English
- German
- French
- Italian
- Spanish
- Traditional Chinese
- Simplified Chinese
- Danish
- Japanese
- Norwegian
- Swedish
- Dutch
- Korean
- Russian
- Finnish
- Portuguese
- Polish
- Czech
- Hungarian
- Slovak
- Norwegian
- Turkish
- ...

■ An Integrated Solution

CAMagic PhoneLink™ provides an easy-to-use API for integrating with Navigator software, making a more powerful application for your end-users.

- Easily place a phone call to points of interest in the Navigator software.
- Track other vehicles on the Navigator screen: exchange position coordinates with friends and family by SMS messaging. The position of tracked vehicles shows on the Navigator map view.

■ System Requirements:

Microsoft® Windows® CE. NET5.0/6
 Windows stack driver for *Bluetooth* wireless technology
 7 MB storage for program installation

■ Mobile Phone Support

Our product supports the most phones of the top manufacturers on the market with *Bluetooth*® wireless technology, including Nokia, Sony Ericsson, Motorola, Samsung, Siemens, LG, and Blackberry. Contact us for the supported phone list.

A&W Advanced & Wise Technology Corp.

5th Fl., NO. 3-2, Industry E. 9th Rd., Hsinchu Science Park, Taiwan.
 Tel : +886-3-578-0088 Fax: +886-3-578-6600
 www.anwsoft.com
 Email:sales@anwsoft.com

The *Bluetooth*® word mark and logos are registered trademarks owned by *Bluetooth* SIG, Inc. and any use of such marks by Advanced & Wise Technology Corp. is under license. Other trademarks and trade names are those of their respective owners.
 © 2008 Advanced and Wise Technology Corporation. All rights reserved.